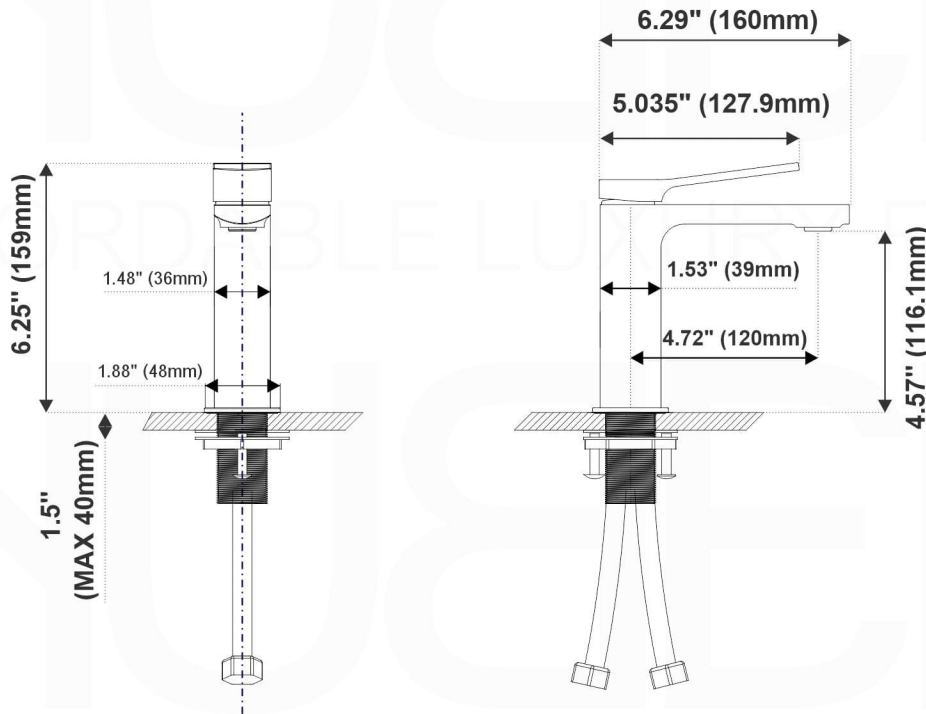


AQUA BALLI

Aqua Balli Single Lever Faucet - Chrome / SKU#: AFB551

KUBE BATH

AFFORDABLE LUXURY FOR YOUR BATHROOM

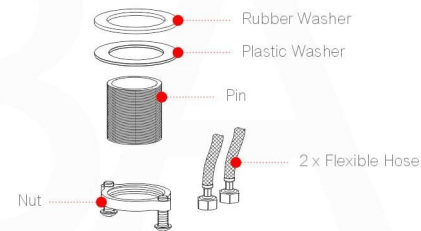


Features:

- Solid brass construction
- Single hole construction
- Ceramic disk cartridge
- Single lever faucet
- Standard plumbing connections
- Finish resist corrosion and tarnishing

Before Your Installation

Please make sure you have the following parts indicated below:



ASSEMBLY

1. Shut off water supply. remove old faucet and flexible hoses. clean sink surface in preparation for the new faucet. Flush water connection at home to make sure no debris is stuck in the line.
2. Connect pin from the bottom of the faucet.
3. Connect flexible hoses to the brass pipes.

4. Place new faucet in the position on the sink. place brass ring between bottom of the faucet and sink surface. From under the sink, put rubber & plastic washer and thread nut onto the pin. Tighten nut.

5. Connect flexible hoses to the cold and hot water supply.

6. After installation is complete turn on the water supply valves and allow both hot and cold water to run at least one minute each. while water is running, check for leaks, especially at hook-ups to supply lines. Tightening nuts slightly will stop any minor leaks.

MAINTENANCE

Your new faucet is designed for years of trouble-free performance. Keep it looking new by cleaning it periodically with a soft cloth. Avoid abrasive cleaners, steel wool and harsh chemicals as these will scratch, dull, and/or damage the finish and/or product void your warranty.

SAFETY TIPS

Be sure to shut off water supply prior to installation. Protect your eyes with safety glasses when cutting or soldering water supply lines. Cover your drain to avoid losing parts.

IMPORTANT POINTS

Prior to beginning installation, turn off the cold and hot water lines and open the hot and cold knobs on the old faucet to release build-up pressure. When installing your new faucet, turn the connector nuts finger-tight, then use one wrench to anchor the fitting and a second wrench to tighten the nut one additional turn. Connections that are too tight will reduce the integrity of the system. Wrap all threaded connections with Teflon tape available at your local hardware or plumbing supply store. Always wrap in a clockwise direction. All installations can vary depending on how your previous faucet was installed. Not all necessary supplies to install your faucet are included, however, they are available wherever plumbing supplies are sold.

We recommend installation to be done by qualified licensed plumber.

Prior to installation please read the instructions thoroughly, confirm that all parts are included and visually inspect the unit for any defects. If you have any questions please contact the Store Department before proceeding with installation.

All rights reserved. The authors retain all copyrights in any text, graphic images and photos in this book. No part of this publication may be reproduced or transmitted in any form or by any means, electronic or mechanical, including photocopying, recording, or any information storage and retrieval system, without permission in writing from the authors.