

# AQUA INFINITY

Aqua Single Lever Faucet / SKU: AFB560



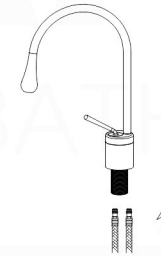
**KUBE BATH**  
AFFORDABLE LUXURY FOR YOUR BATHROOM



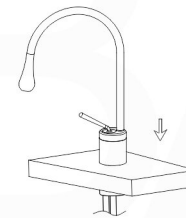
## INSTALLATION STEPS



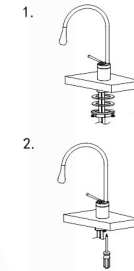
1. Remove the rubber washer, metal washer and bushing from the faucet.



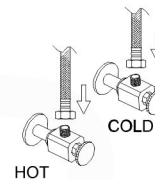
2. Screw and hand tighten the hot and cold flexible hoses to the faucet. So not use a wrench to tighten hose as this may damage the hose and/or the hose threads



3. Install faucet center hole.



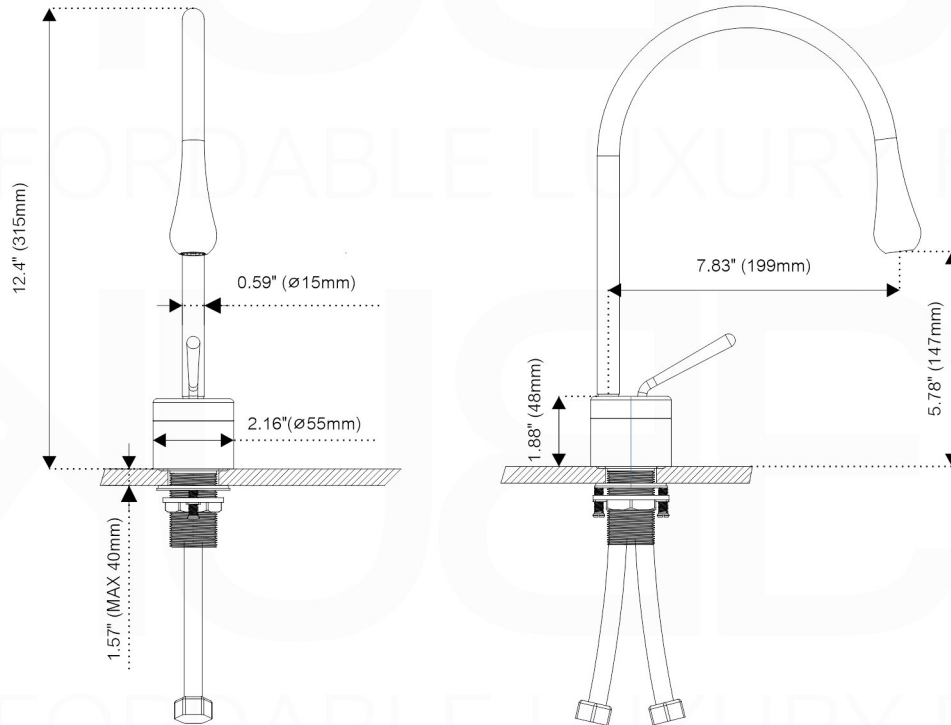
4. Re-install the rubber washer followed by the metal washer and lock-nut. Hand tighten then tighten further using a screw driver to tighten lock-nut screws.



5. Attach flexible hose to water supply.



6. Remove the aerator and turn on faucet for 1 minute to flush debris from faucet and feed lines. Turn faucet off and re-install aerator.



## NOTES BEFORE INSTALLATION

1. Please check that all components are present.
2. Before installation, ensure that all feed lines are clear of debris and on/off valve is present.
3. Ensure water pressure is between 20-125PSI (includes combination of hot and cold feed lines).
4. Pictures in the manual are general in content and may not represent exactly your purchased faucet. If you are having difficulties, please contact a professional plumber.
5. If you will be away from home for an extended period, you should shut off the main water supply.

## DAILY MAINTENANCE

1. Use a soft cloth and vinegar to remove hard-water spots.
2. Check aerator (if present) regularly for calcium buildup when water stream is not optimum.
3. DO NOT use caustic cleaning products as the use will break down finish and will void product warranty.
4. Acceptable cleansers include vinegar or mild non-abrasive liquid detergents.
5. If the water pressure appears to be less optimum, remove, inspect, or replace aerator.

## STANDARDS

- . Certified to CUPC
- . Certified to AB 1953
- . Certified to NSF/ANSI 61



ADA for lever handle



Note: This faucet is designed to be installed through a hole  $\varnothing 1.37$ " (35mm) MIN.

All rights reserved. The authors retain all copyrights in any text, graphic images and photos in this book. No part of this publication may be reproduced or transmitted in any form or by any means, electronic or mechanical, including photocopying, recording, or any information storage and retrieval system, without permission in writing from the authors.