

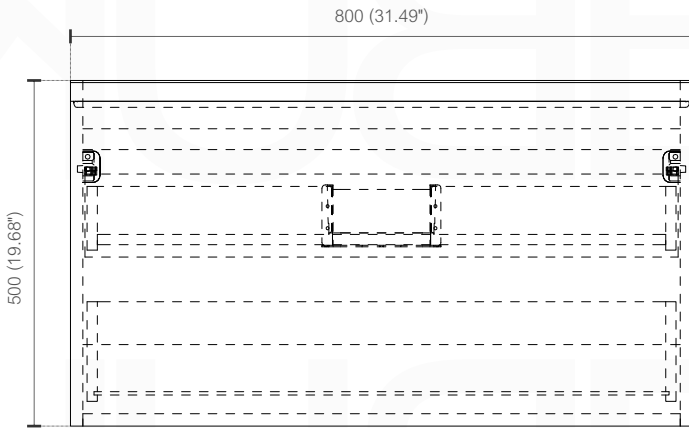
**BALLI32**

Sink: BN810SINK

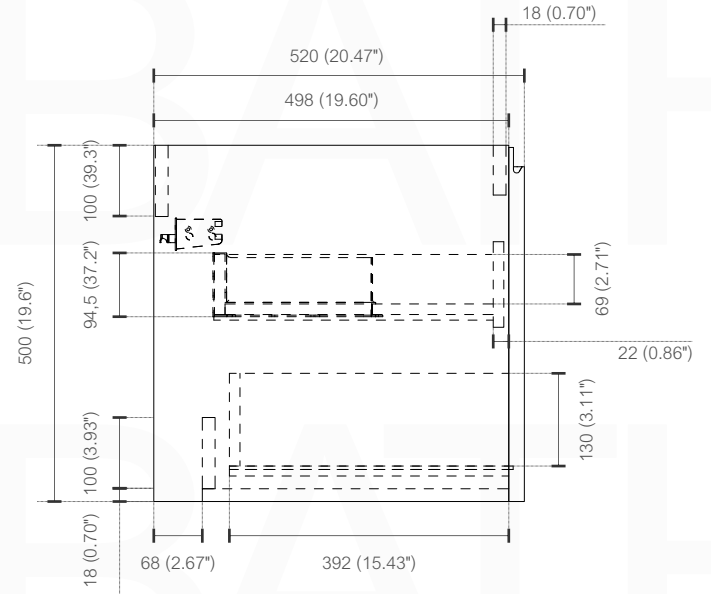
| Dimensions: | width | depth  | height |
|-------------|-------|--------|--------|
| inches      | 31.9" | 20.66" | 21.06" |
| mm          | 810   | 525    | 535    |

NOTE: DIMENSIONS AND TECHNICAL DETAILS ARE SUBJECT TO CHANGE WITHOUT NOTICE

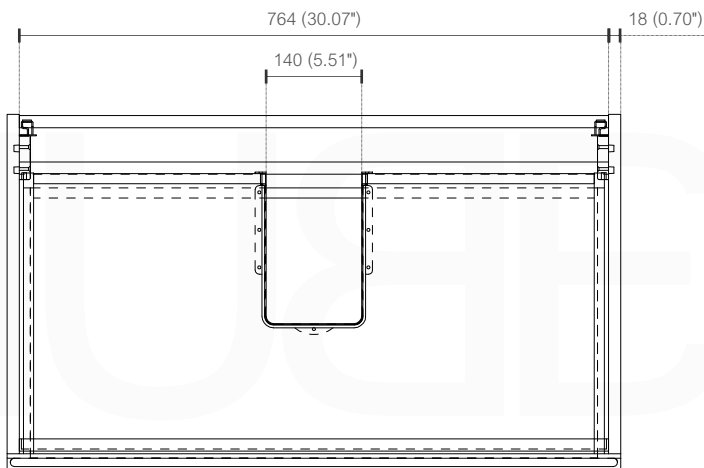
. FRONT ELEVATION



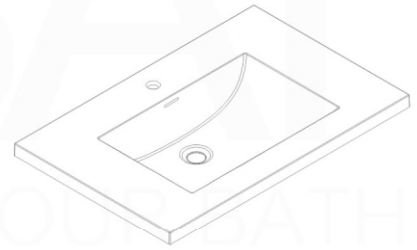
. SIDE ELEVATION



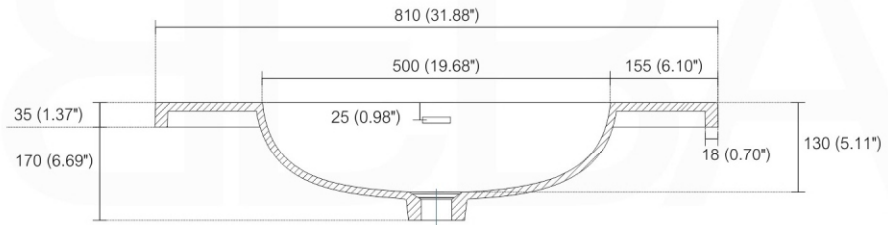
. TOP ELEVATION



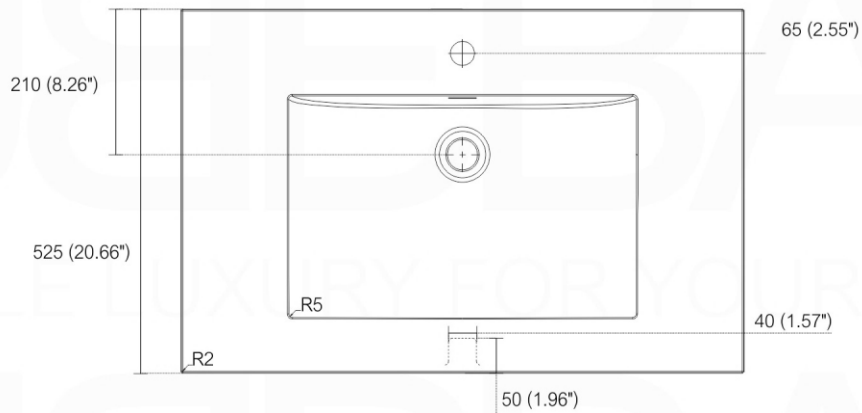
**SQUARE SINK SPAIN 30"**



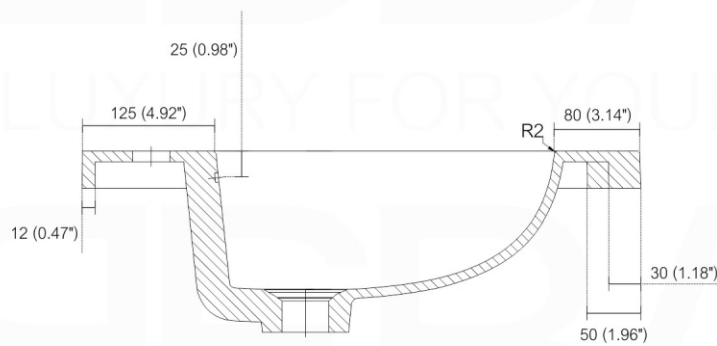
. FRONT ELEVATION



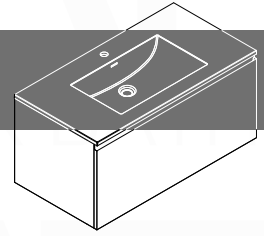
. TOP ELEVATION



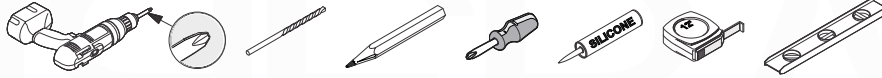
. SIDE ELEVATION



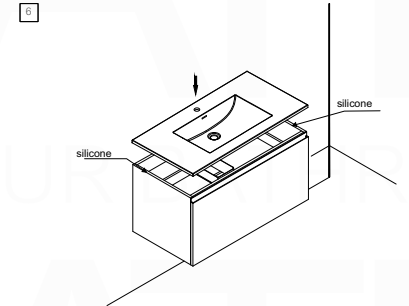
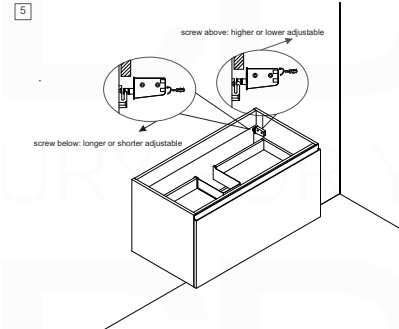
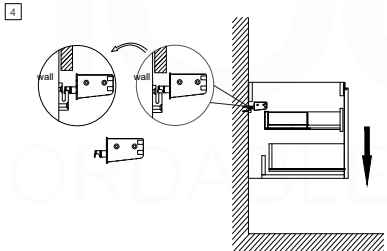
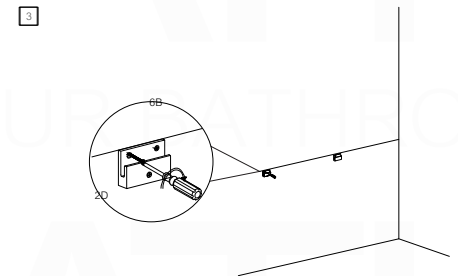
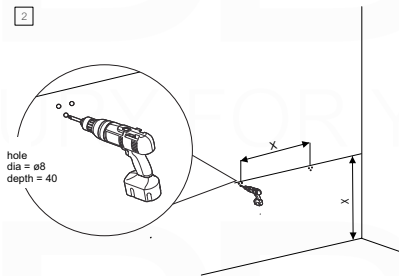
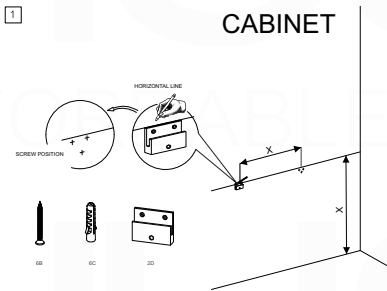
## INSTALLATION GUIDE



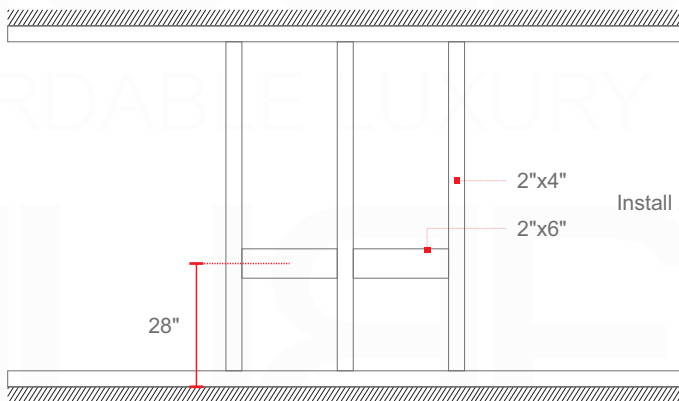
### Tools Required for Assembly



### How to Install



### Wall Preparation



Install 2"x 6" lumber between the wall studs. Desired height: 28".