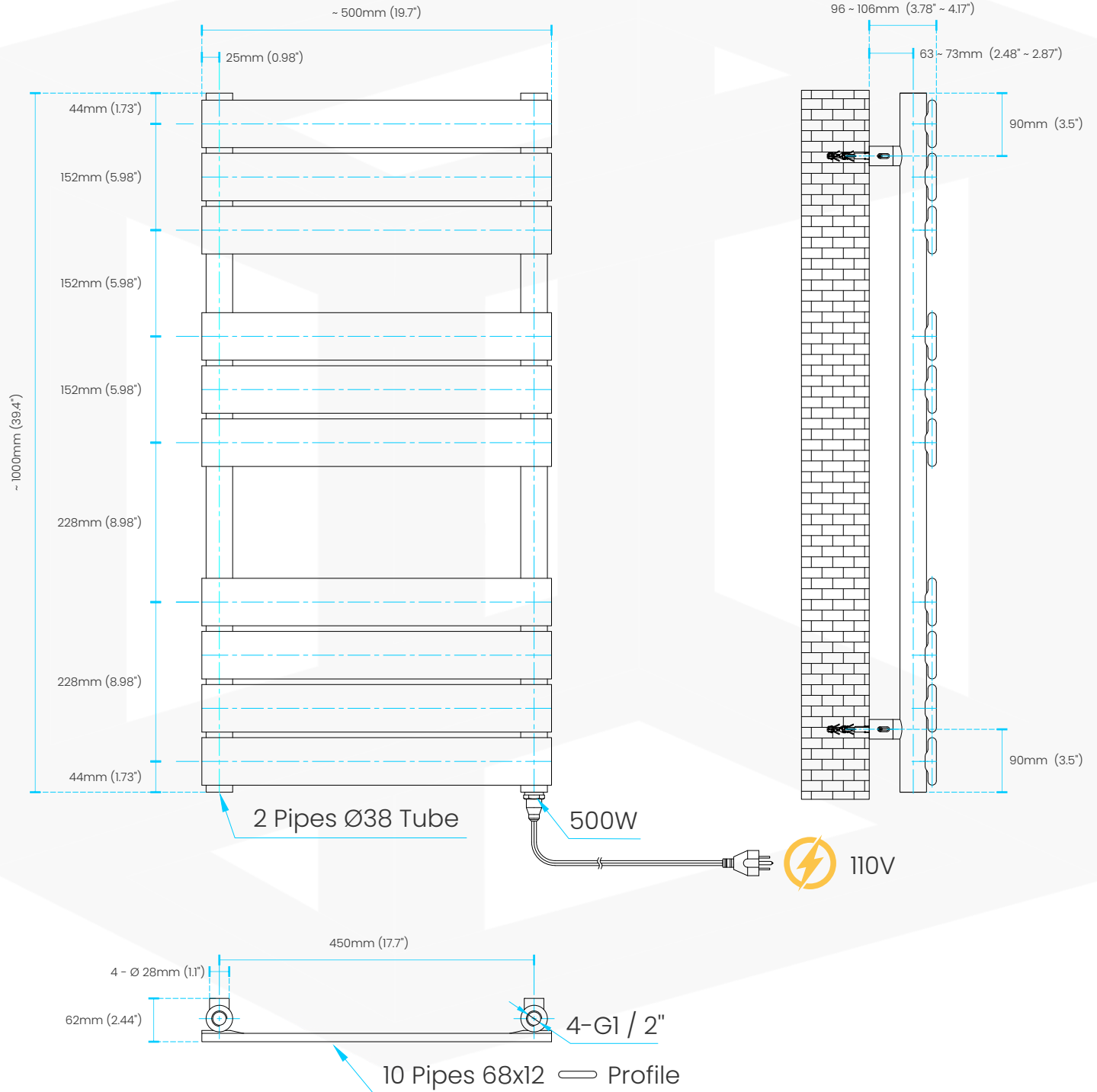


Dimensions:	width	depth	height
inches	~ 19.7"	~ 20.4"	3.78" ~ 4.17"
mm	~ 500	~ 519	96 ~ 106mm

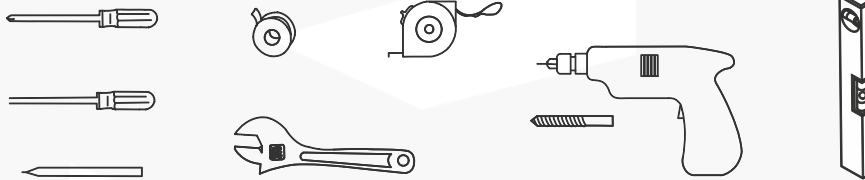


## 1 Product Information

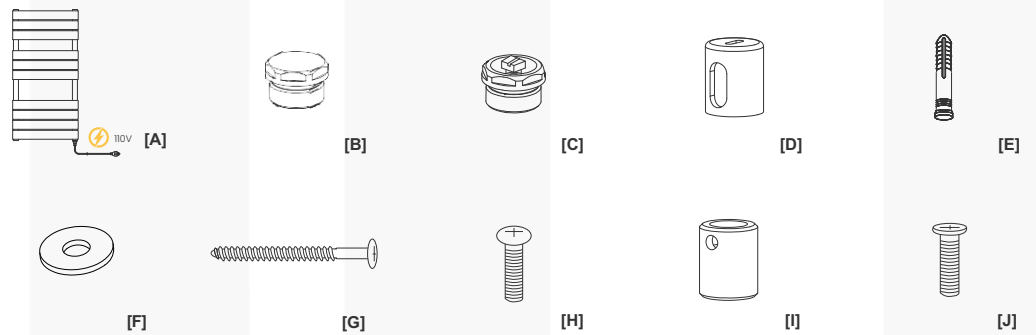
. Please read this instruction carefully before installation.  
. Installation should be carried out by a qualified plumber.



### Preparation

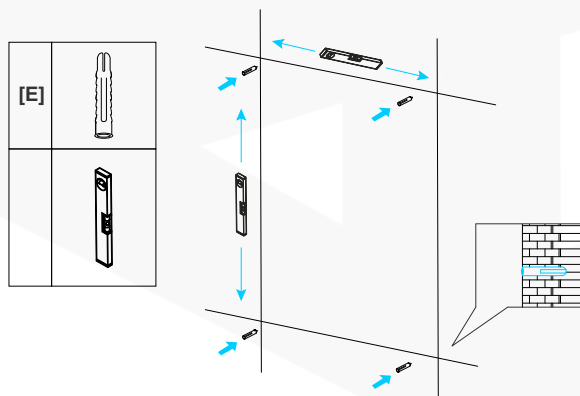


### Parts



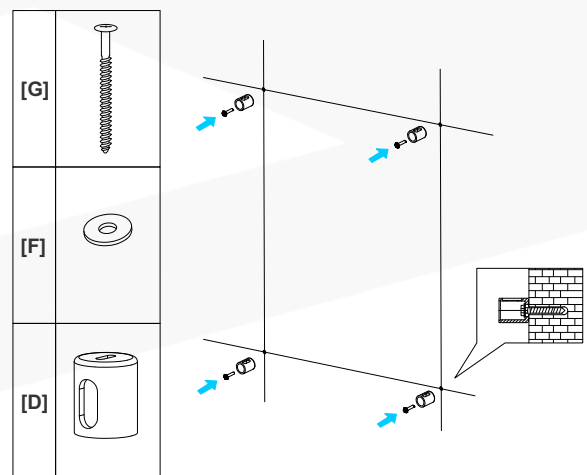
## 2 Installation

**Step 1:** Select your desired installation position and ensure the wall is sufficiently strong to hold the weight of the radiator. (Brick or breezeblock wall is ideal.)

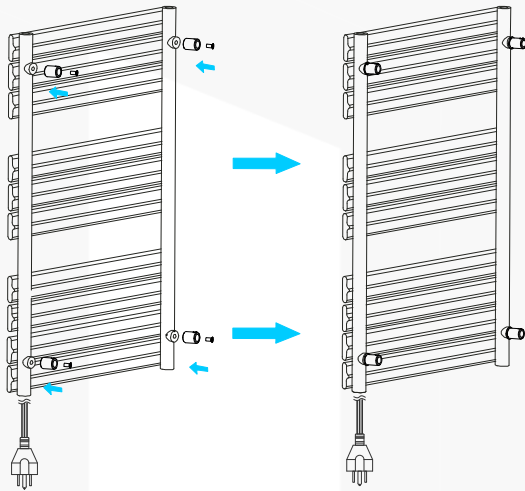
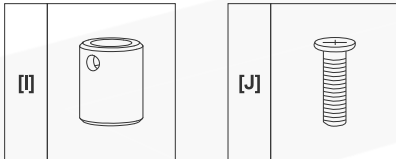


Mark down the screw position on the wall, then drill four holes accordingly and tap the Rawlplug E into the wall.

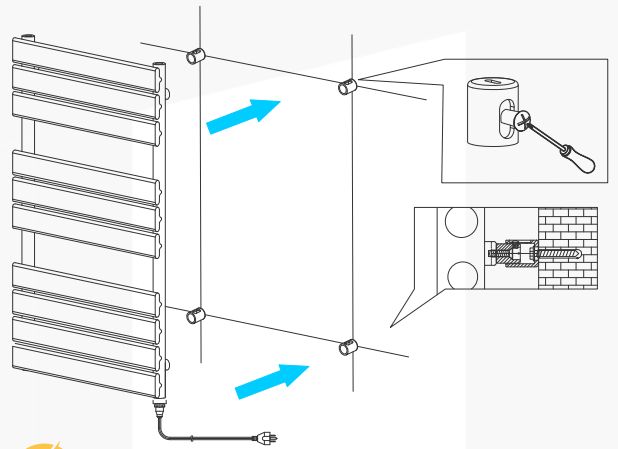
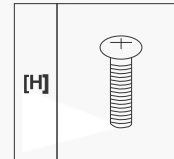
**Step 2:** Connect the Wall Support D to the wall with Long Screws G.



**Step 3:** Fix the spacer I to the radiator with bolts J.



**Step 4:** Mount the radiator to the wall and tighten the Small Screws H in the brackets. C



**Step 5:** Connect the Plug to the power outlet.



**Category**

**Details**

**Compliant With**

CSA C22.2 No. 64-10 Standard

**Certificate**

cULus

**Certificate Number**

20190114-E477845

**Report Reference**

E477845-20190110