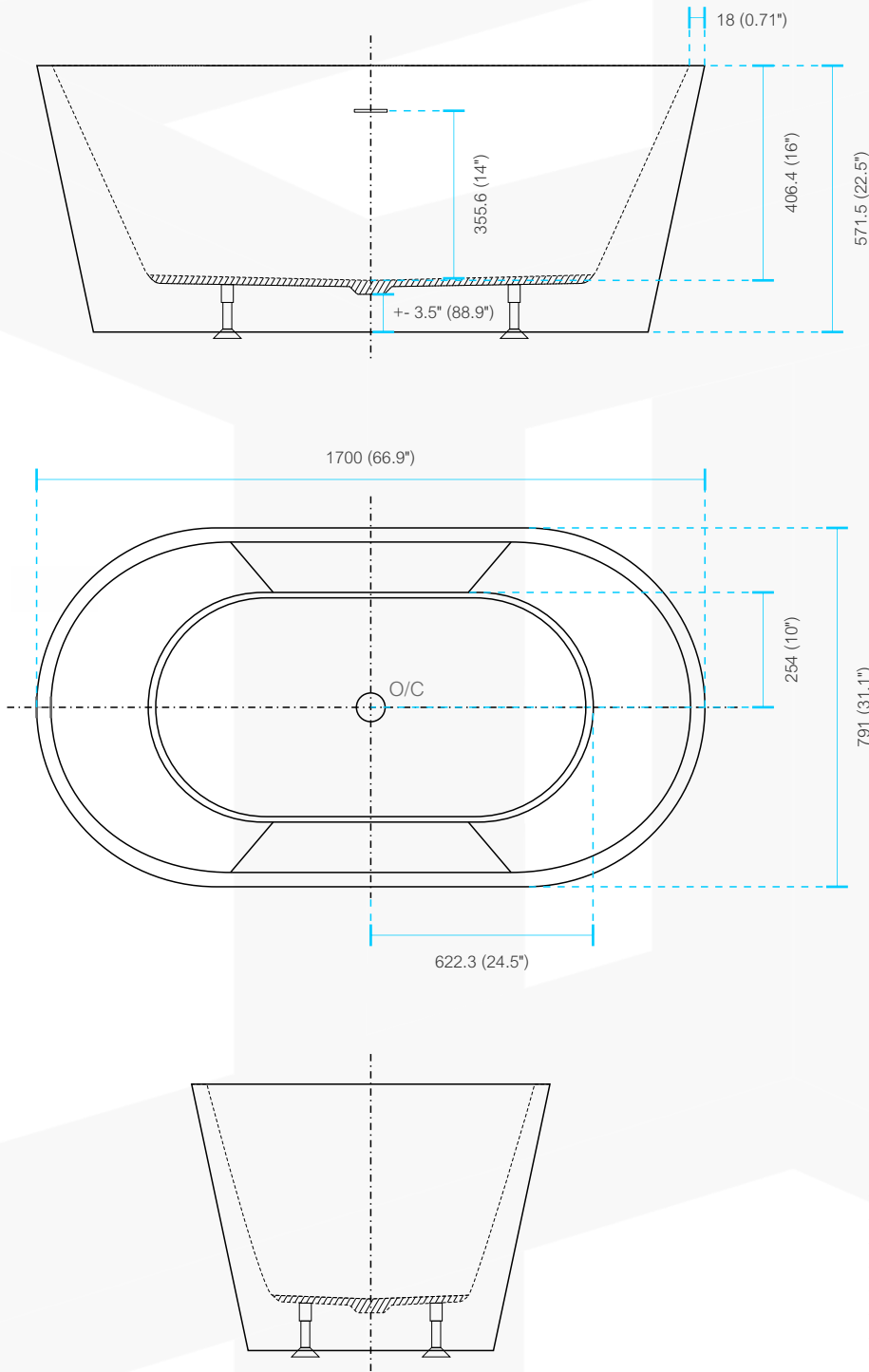


Dimensions:	width	depth	height
inches	66.9"	31.1"	22.5"
mm	1700	791	571.5



Features:

- . High molecular pure resin.
- . Warm to touch, easy to clean, won't fade, easy to repair.
- . High thermal water heat retention.
- . Level adjustment feet.
- . Brass Pop-up drain included.
- . Capacity: 96.5 Gallons.
- . cUPC Approved