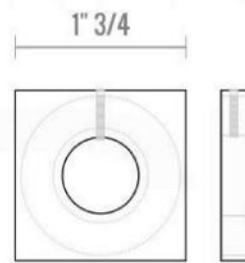
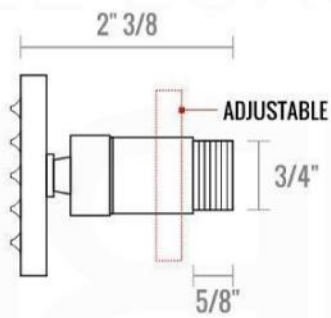
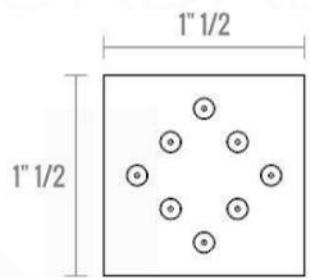
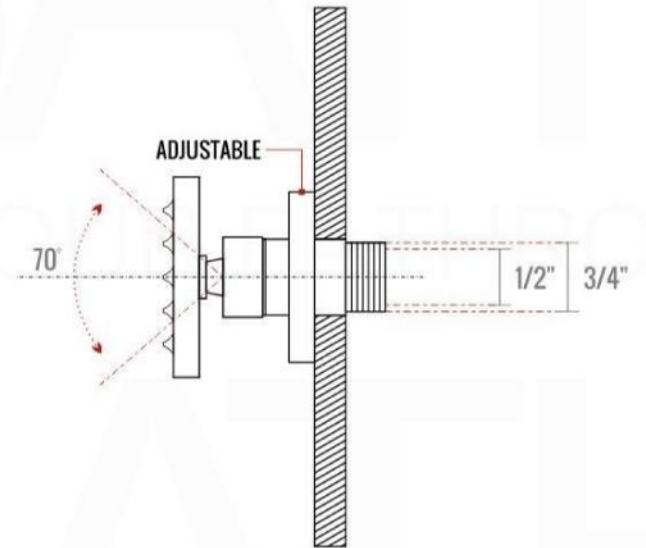


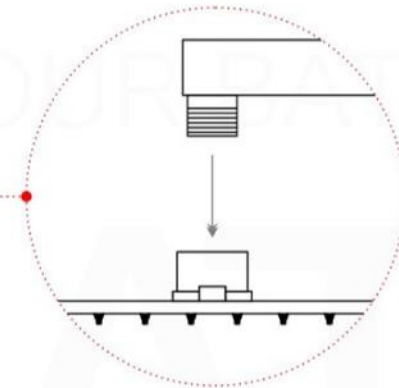
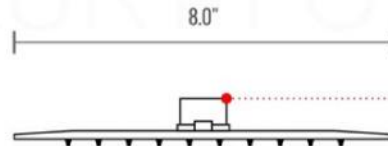
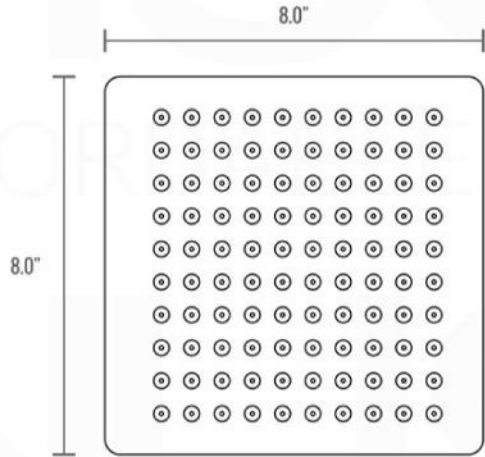
## PIAZZA BODY JET ( ABBS01 )



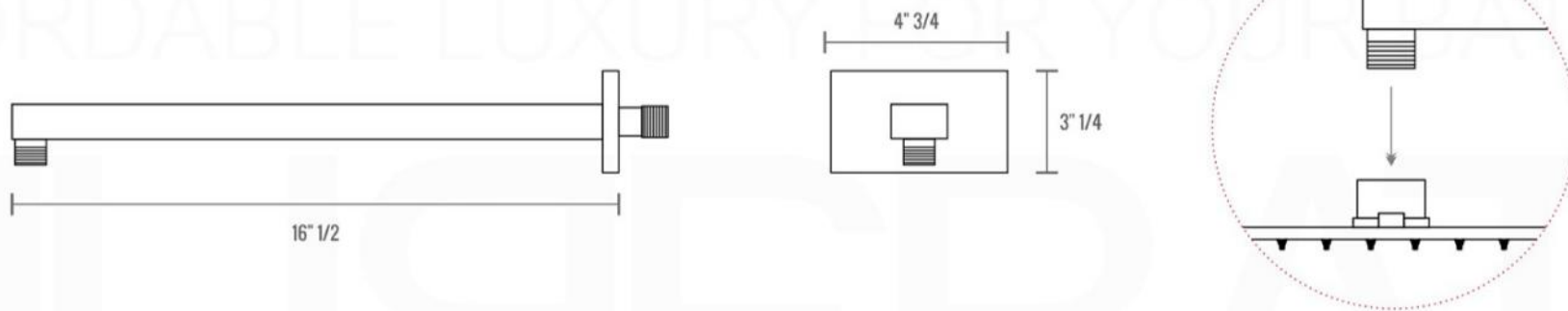
PLATE



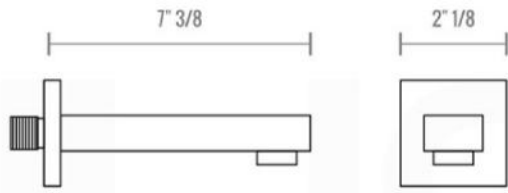
# PIAZZA RAIN SHOWER HEAD ( ARS200 )



## PIAZZA 17" WALL MOUNT SHOWER ARM ( ASA17W )

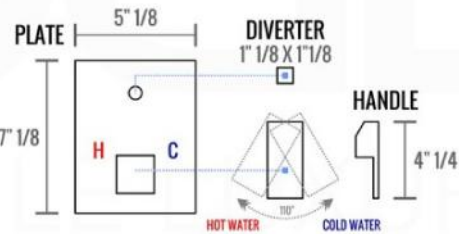
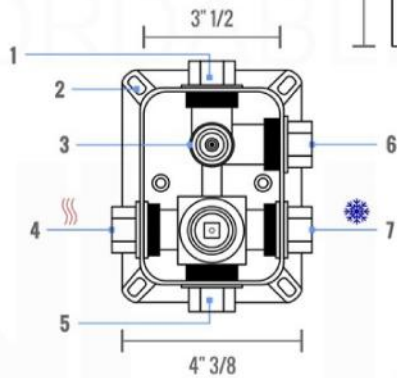


## PIAZZA TUB FILLER ( ASTF147 )



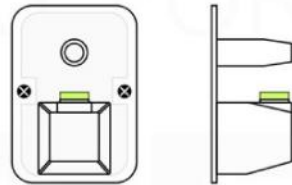
# PIAZZA 3 WAY VALVE ( ASV143 )

## FRONT VIEW

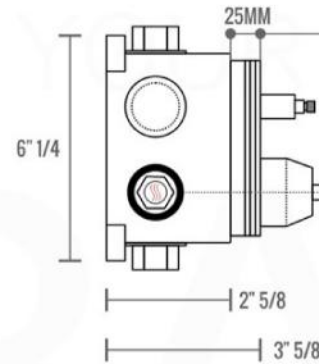


- 1- UPPER END OUTLET PIPE INTERFACE
- 2- MOUNTING FIXED HOLE
- 3- DIVERTER
- 4- HOT WATER PIPE INTERFACE
- 5- LOWER END OUTLET INTERFACE
- 6- HANDHELD SHOWER CONNECTION PORT
- 7- COLD WATER PIPE INTERFACE

## PROTECTION COVER

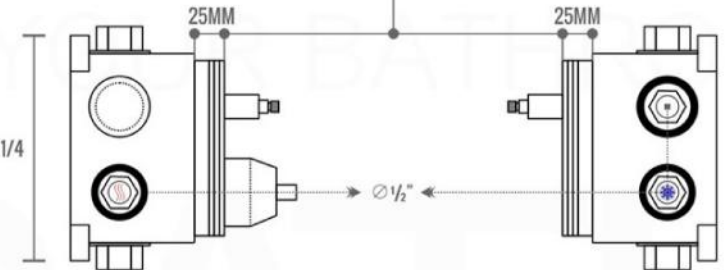


## LEFT VIEW



## RIGHT VIEW

THIS LINE ON:  
SAME SURFACE AS RAW WALL WHEN SET IN.  
CUT TO BE ON SAME SURFACE OF CERAMIC | EXTRA 25MM FOR CERAMIC



## PIAZZA 2 WAY VALVE ( ASV142 )

### CONFIG.01

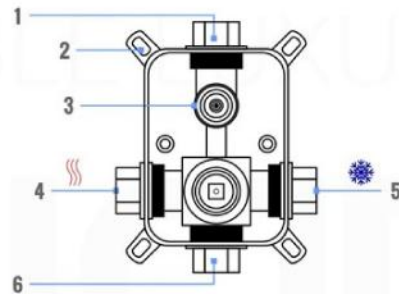
RAIN SHOWER W/HANDHELD

### CONFIG.02

RAIN SHOWER W/TUB FILLER

### CONFIG.03

RAIN SHOWER W/BODY JETS



- 1 - UPPER END OUTLET PIPE INTERFACE
- 2 - MOUNTING FIXED HOLE
- 3 - DIVERTER
- 4 - HOT WATER PIPE INTERFACE
- 5 - COLD WATER PIPE INTERFACE
- 6 - LOWER END OUTLET INTERFACE

### CONFIG.01

RAIN SHOWER W/HANDHELD



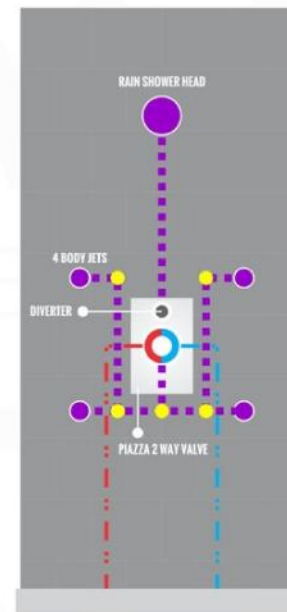
### CONFIG.02

RAIN SHOWER W/TUB FILLER



### CONFIG.03

RAIN SHOWER W/BODY JETS



## PIAZZA 3 WAY VALVE ( ASV143 )

### CONFIG.01

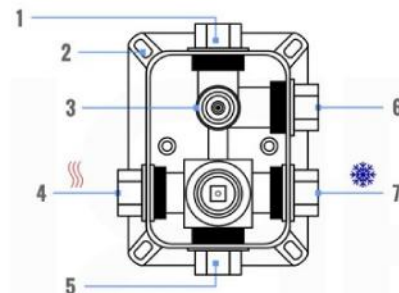
RAIN SHOWER W/HANDHELD AND TUB FILLER

### CONFIG.02

RAIN SHOWER W/HANDHELD AND MESSAGE BODY JETS

### CONFIG.03

RAIN SHOWER W/TUBE FILLER AND MESSAGE BODY JETS



- 1 - UPPER END OUTLET PIPE INTERFACE
- 2 - MOUNTING FIXED HOLE
- 3 - DIVERTER
- 4 - HOT WATER PIPE INTERFACE
- 5 - LOWER END OUTLET INTERFACE
- 6 - HANDHELD SHOWER CONNECTION PORT
- 7 - COLD WATER PIPE INTERFACE

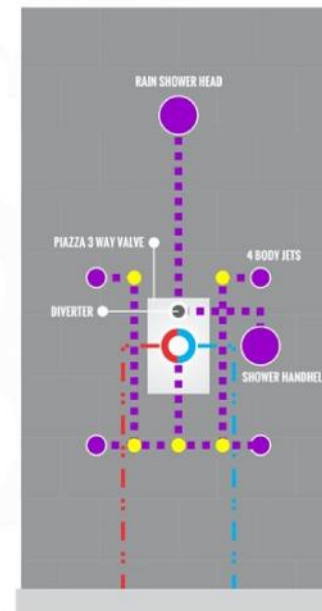
### CONFIG.01

RAIN SHOWER W/HANDHELD AND TUB FILLER



### CONFIG.02

RAIN SHOWER W/HANDHELD AND MESSAGE BODY JETS



### CONFIG.03

RAIN SHOWER W/TUBE FILLER AND MESSAGE BODY JETS

